

CARE & MAINTENANCE

Dry the chassis as soon as possible after it becomes wet. Do not fold the pushchair when the fabric is wet. Leave the pushchair open and allow it to dry naturally. Do not store the pushchair in a damp place.
Clean the chassis thoroughly every month or so. Use a damp cloth and mild detergent. Do not use abrasives or bleach.
Regularly check the pushchair assembly for tightness and security. Inspect all moving parts for correct free and easy movement. Lubricate when necessary using a light oil or silicone spray. This will extend the life of your pushchair and will make folding and unfolding easier.
Regularly check all safety devices for correct operation. In particular, check the brakes and the primary and secondary locks. Clean the fabric with a damp cloth and mild detergent or disinfectant. Do not immerse the seat in water. Do not use abrasives or bleach.

IMPORTANT KEEP FOR FUTURE REFERENCE

Important Notes on safe use of your pushchair and carry cot

- **WARNING: A CHILD'S SAFETY IS YOUR RESPONSIBILITY.**
Children should be harnessed in at all times and should be never left unattended. The child should be clear of moving parts while making adjustments. This vehicle requires regular maintenance by the user.
Overloading, incorrect folding and the use of non-approved accessories may damage or break this vehicle. Read the instructions.
- Remember your child's safety is your responsibility.
- Always apply the brake when leaving the pushchair for whatever reason, even for a short time.
- Read the Instructions supplied with your Seat Unit, Carry Cot, or other accessories.
- Never leave your child alone or unattended in this pushchair.
- Always use the safety harness, properly fitted and correctly adjusted. For extra safety, the British safety standard recommends the use of a safety harness (complying with BS 6684). The "D" rings are situated on the two sides of the harness or at the midway point of the seat body.
- Take care as you manoeuvre your pushchair up and down curbs and steps. Whilst the chassis is strong it will be weakened as the wheels bounce up and down steps. Do not let your pushchair drop. Carry it up stairs whenever possible. The D rings are situated either on the two sides of the harness or at the midway point of the seat body.
- Do not run with your pushchair (especially across a road!). This will endanger both you and your child.
- Do not carry extra shopping or allow extra children to ride on this pushchair. Do not overload the shopping basket. It is designed to carry up to 2 kg. Do not overload the pockets when provided Maxi 0.5 Kg
- Always make sure your child is clear of moving parts before making adjustments or moving off.
- Always fold back the PVC rain cover if you leave your child in the pushchair when bringing it indoors. Take care that your child does not overheat in the pushchair.
- Do not force the folding, unfolding and other operations of this pushchair. The correct use and maintenance of this pushchair will make sure that it has a long and trouble free life.
- When someone else is using your pushchair, make sure they also know how to use it, especially the correct way to fold and unfold it and to use the brakes.
- Do not use accessories (for example bag hooks, additional seats or rain covers) with this pushchair that are not approved by the manufacturer as they may make it unstable and unsafe.

AFTER SALES SERVICE

We recommend that your pushchair is serviced regularly (at least every 12 months). In particular, it should be serviced before using it for a second child. Should you want your pushchair serviced or if you have any other problem, please contact DOREL CUSTOMER SERVICES (See last page for contact Details). Do not use parts that are not approved by Safety 1st. Their use may make the pushchair unsafe.

WARRANTY

Safety 1st products are warranted against faulty manufacture, for a period of 24 months from date of purchase. This warranty does not cover failure or damage that is the result of accident, misuse, neglect, improper maintenance or repairs using non approved parts. This Warranty does not affect your statutory rights.

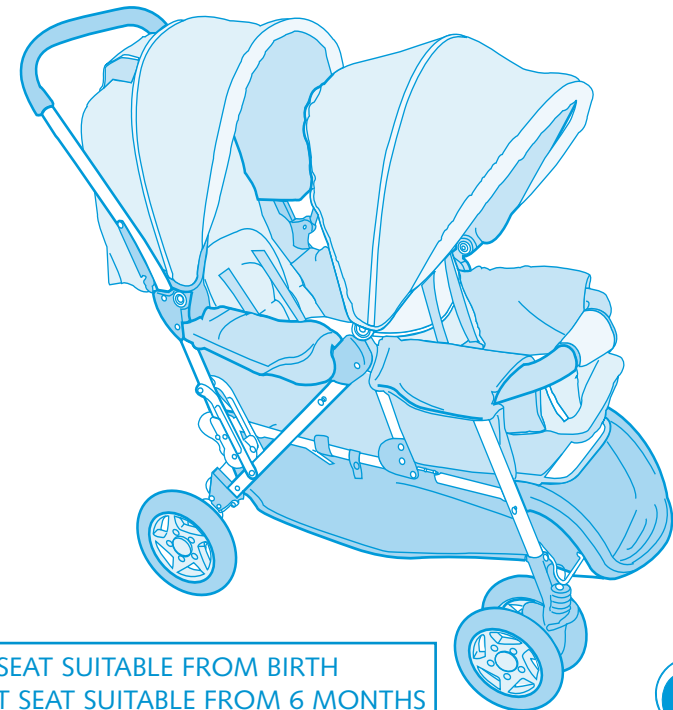
Manufactured in the "China" to comply with BS 7409: 1996 for DOREL JUVENILE GROUP UK, Borehamwood, Herts, WD6 1TE
Tel: 01842 763281 Fax: 01842762062
WWW.DOREL.COM. E.MAIL: Customercare@uk-dorel.com
Times: Monday - Friday - 8.30 A.M. to 4.30 P.M.

0527276

INSTRUCTIONS FOR USE

Safety 1st

DUODÉAL



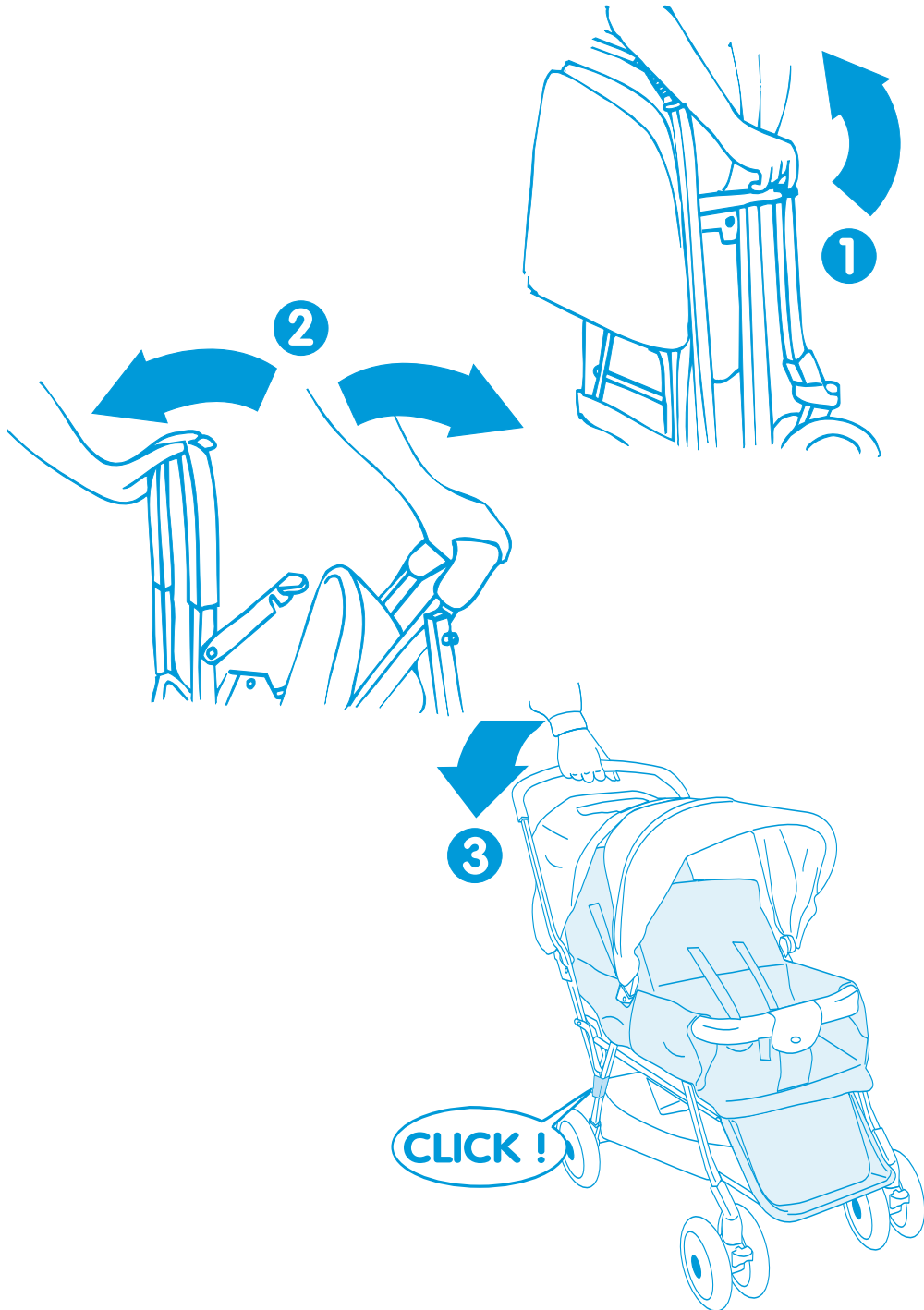
REAR SEAT SUITABLE FROM BIRTH
FRONT SEAT SUITABLE FROM 6 MONTHS



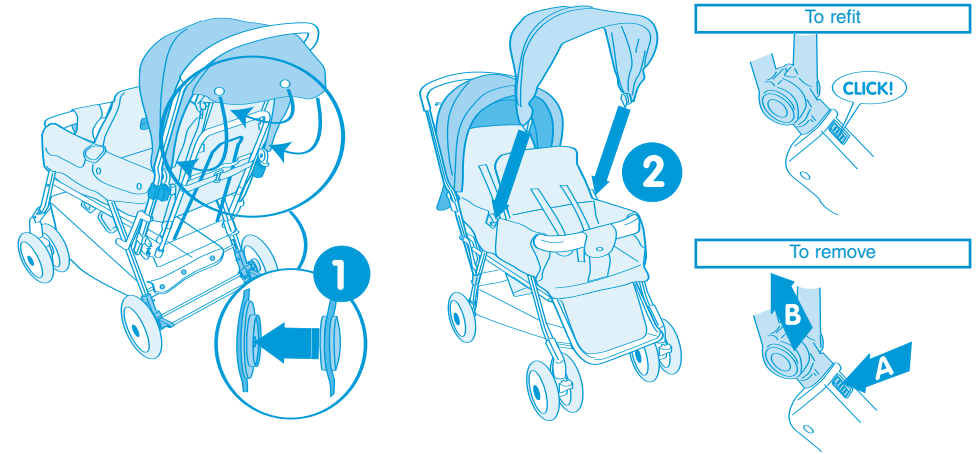
IMPORTANT KEEP FOR FUTURE REFERENCE

- Please read these instructions carefully before use and retain them in a safe place for future reference. Keep these instructions for future reference.

TO UNFOLD

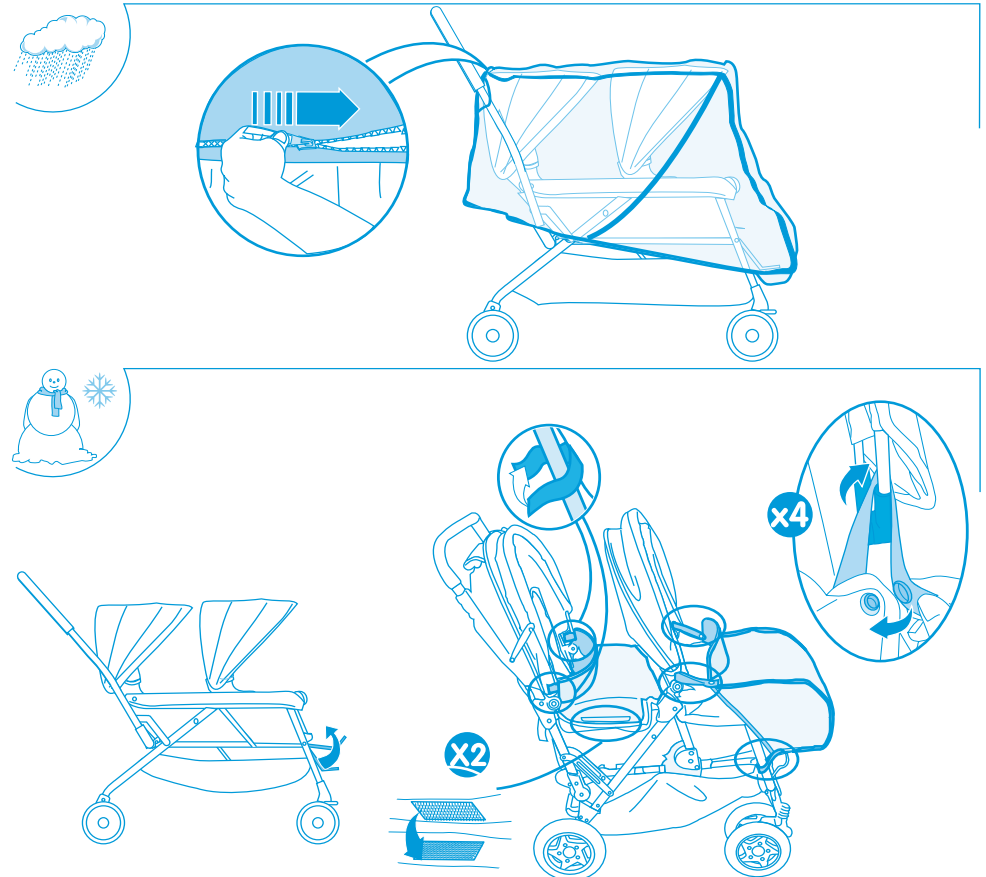


HOOD

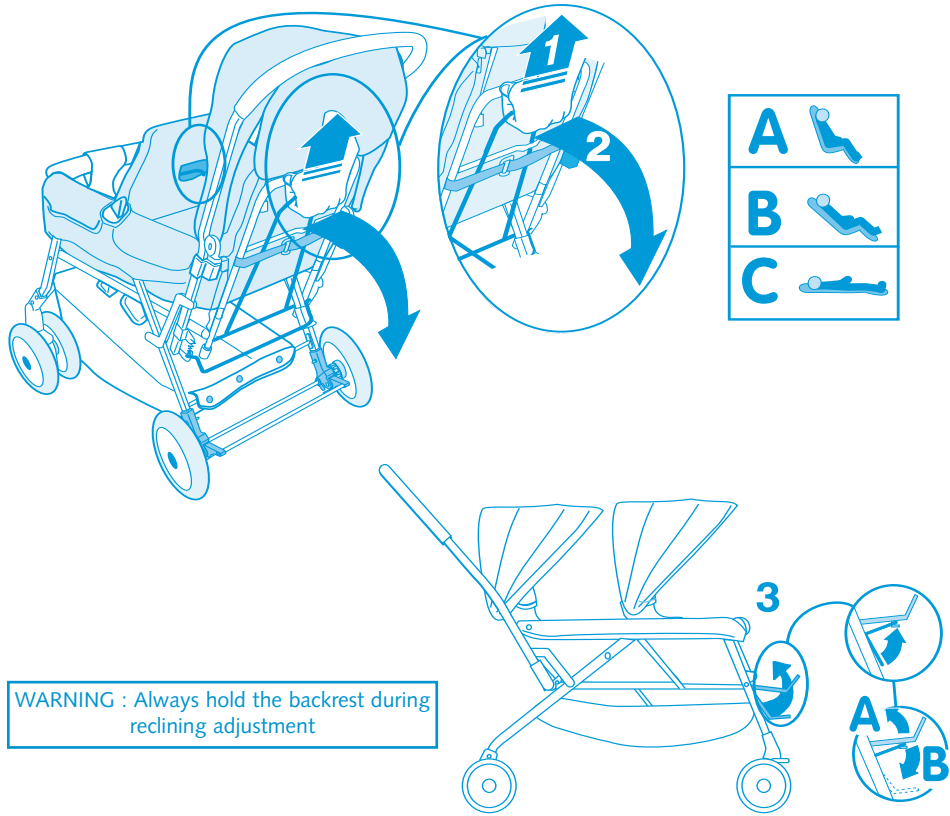


ACCESORIES

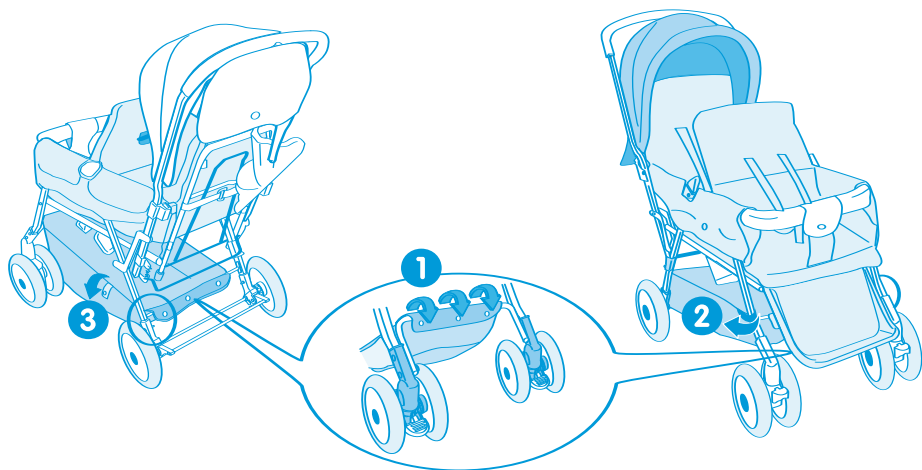
Depending of item



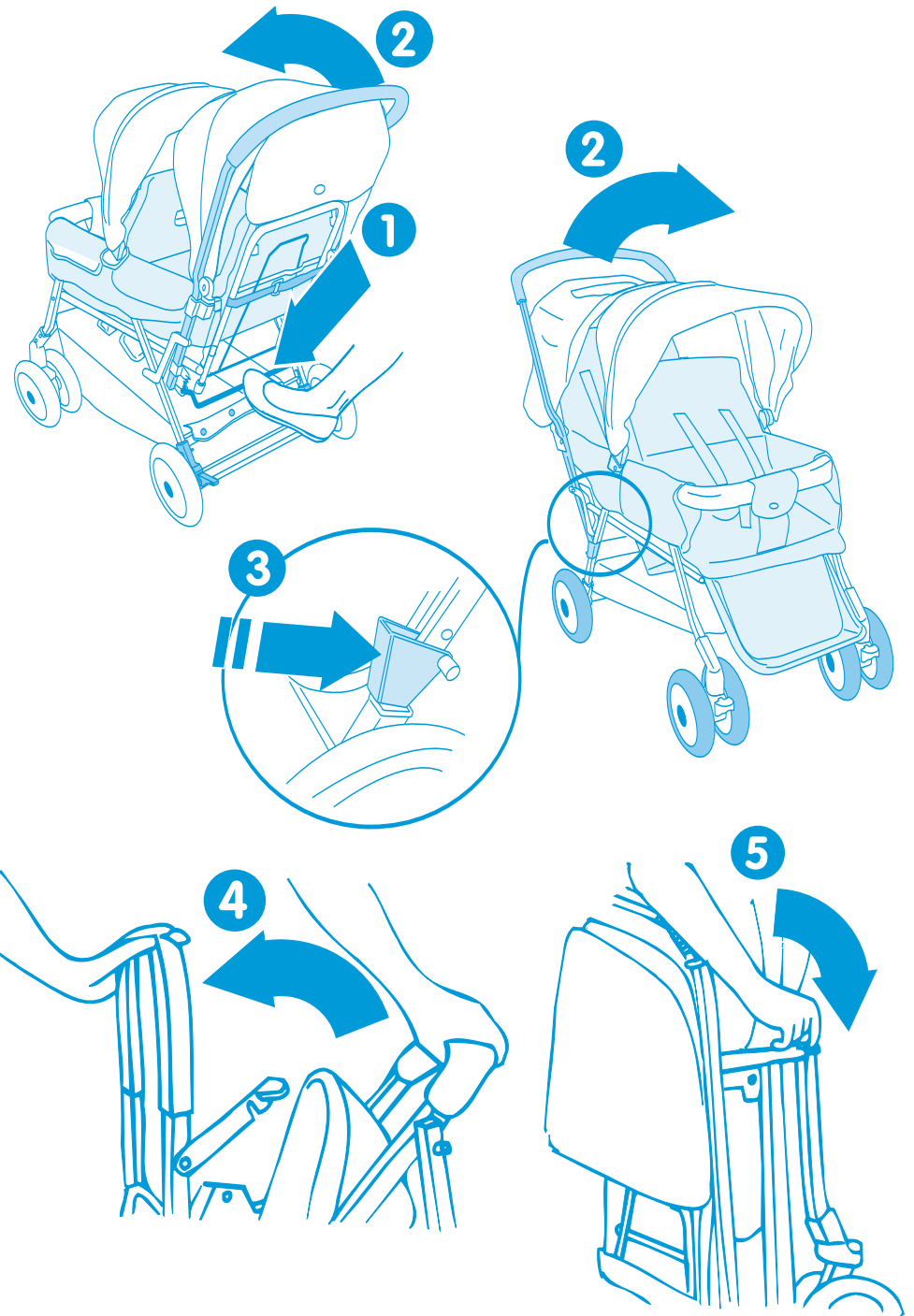
TO ADJUST THE SEATING ANGLE



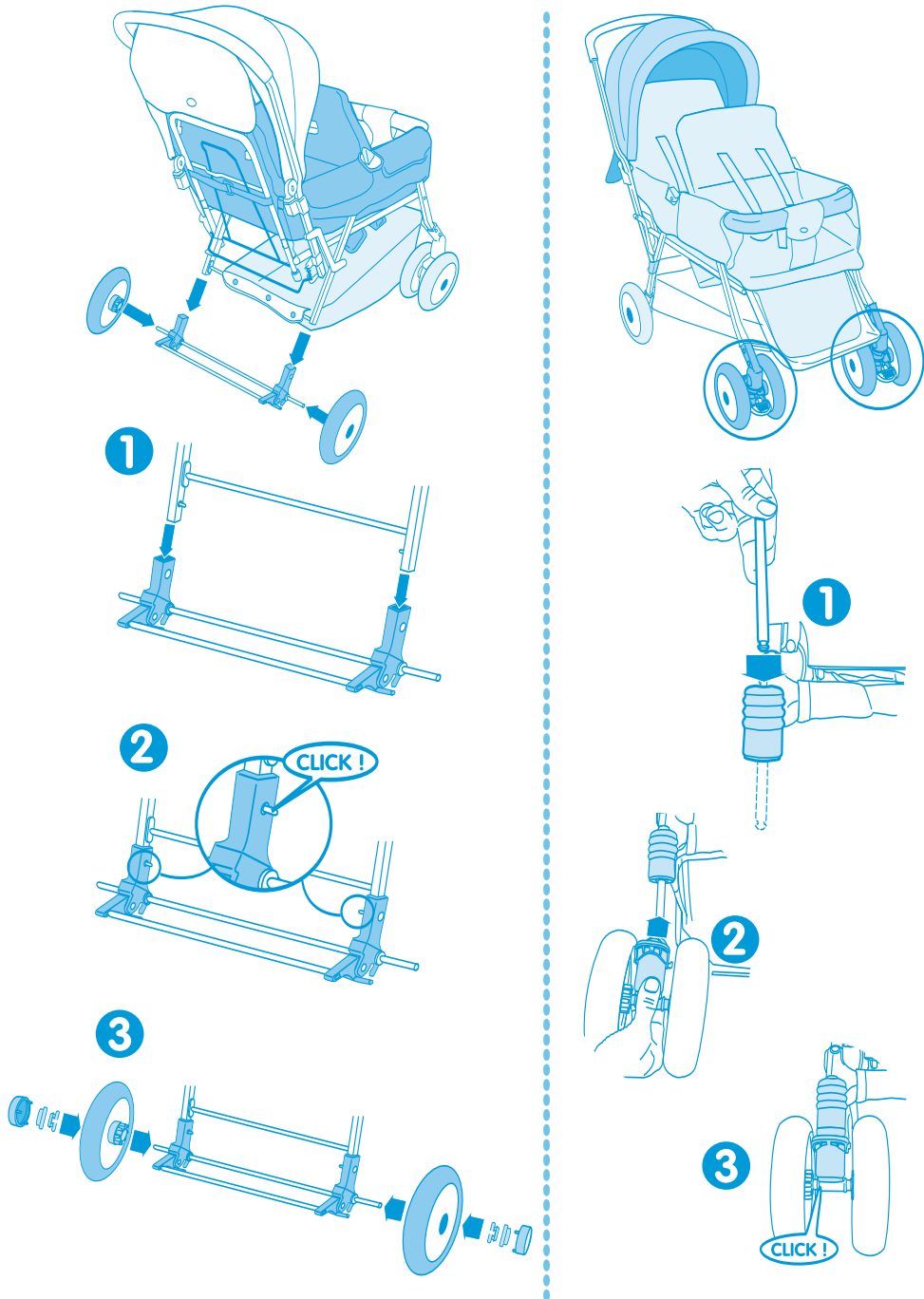
BASKET ASSEMBLY



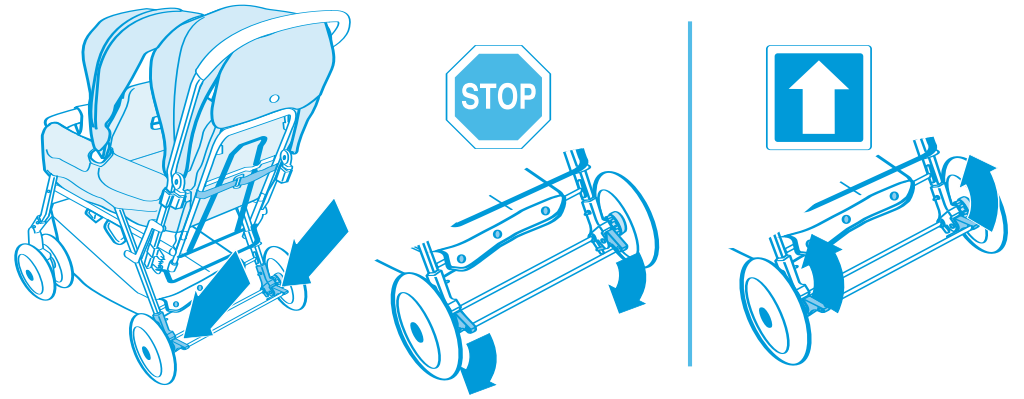
TO FOLD



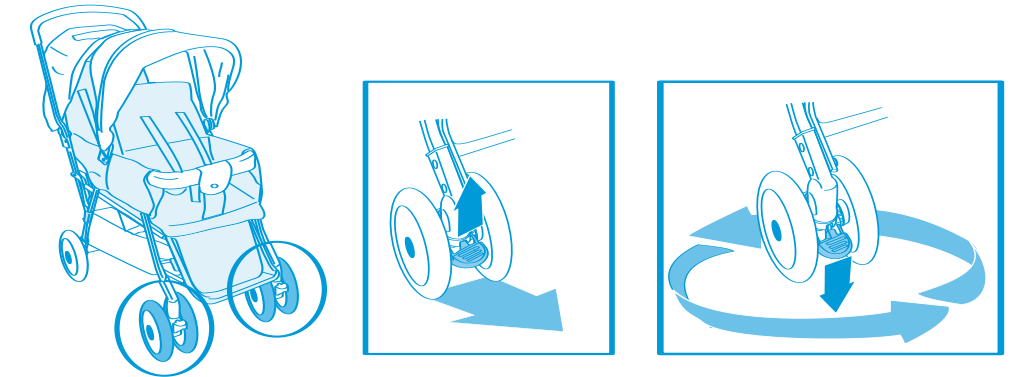
WHEELS FITTING



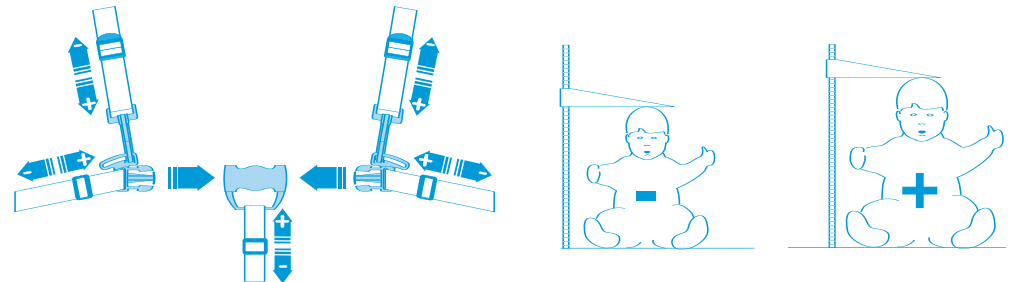
TO USE THE BRAKE



WHEELS LOCKED / WHEELS FREE



TO ADJUST SEAT HARNESS



WARNING : Always use the crotch strap in combination with the waist belt