



# Safety 1<sup>st</sup>



Quick-Close Gate 35015720

GB



# Safety 1<sup>st</sup>

**Dorel Europe**

P.O.Box 6071, 5700 ET Helmond, Holland  
Tel: +31 (0) 492 57 81 01  
Fax: +31 (0) 492 57 81 22

**Dorel U.K.**

Hertsmere House, Shenley Road, Borehamwood,  
Hertfordshire WD6 1TE, United Kingdom  
Tel: +44 (0) 1842 763281  
Fax: +44 (0) 1842 762 062  
e-mail: [customer-care@uk-dorel.com](mailto:customer-care@uk-dorel.com)

**Dorel Juvenile Group Inc,**

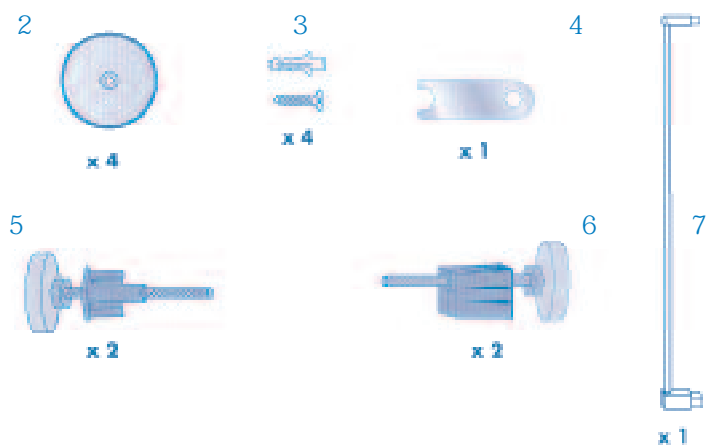
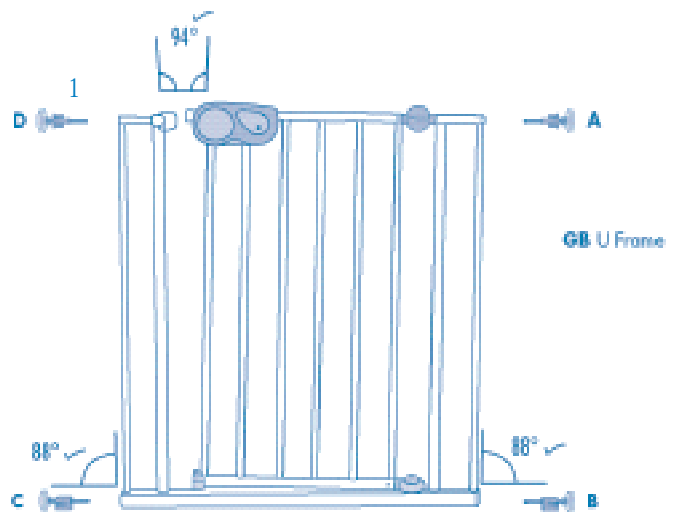
2525 State Street, Columbus, IN47201, U.S.A.

[www.safety1st.com](http://www.safety1st.com)  
© 2005 Safety 1st Inc

Conforms to BS EN 1930:2000



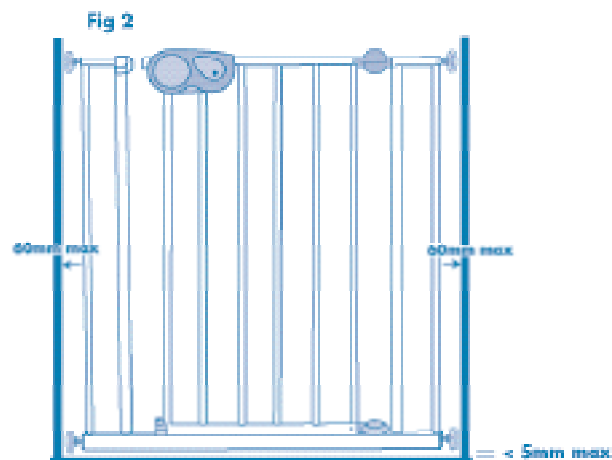
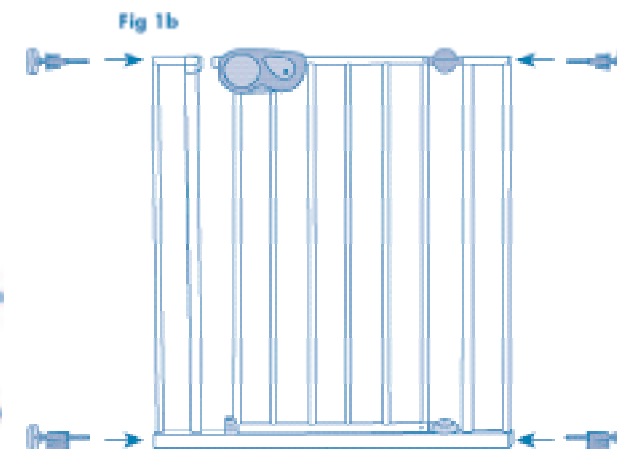
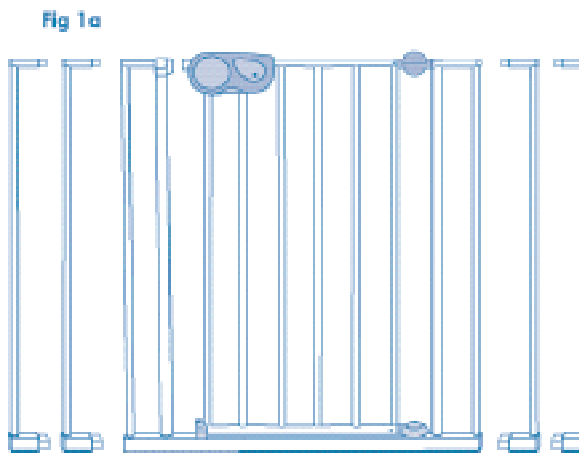
6m 24m

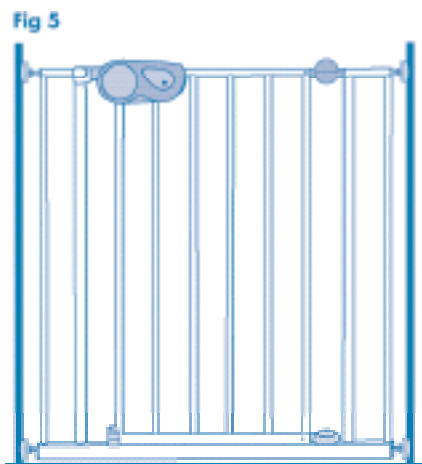
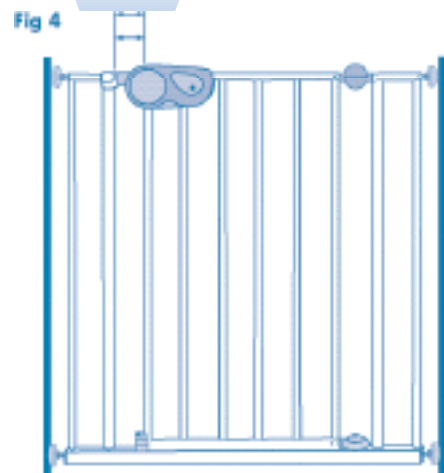
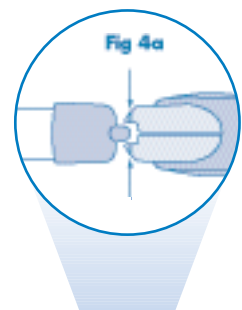
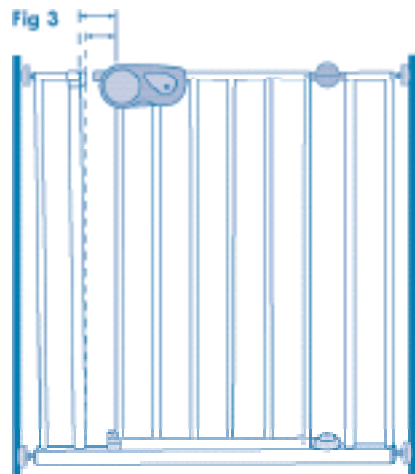


**PARTS CHECK LIST**

- 1. Quick-Close Gate
- 2. 4 x self adhesive wall cups
- 3. 4 x wall plugs and 4 x 22mm screws
- 4. Spanner
- 5. 2 x top spindles with tightening nuts and bungs
- 6. 2 x bottom spindles with tightening nuts and bungs
- 7. 7cm Extension

Check you have all the required parts before assembly and that all are undamaged.  
The bottom of the gate must not be fitted any higher than 5mm from the floor.





## IMPORTANT: READ ALL INSTRUCTIONS CAREFULLY BEFORE USE AND KEEP FOR FUTURE REFERENCE

- The Safety 1st Quick-Close Gate meets stringent safety requirements when fitted correctly between two solid surfaces. Fits openings min. 73cm up to 81cm without extensions.
  - Can be adjusted up to 109cm with separate 7cm extensions. A maximum of 4 extensions are recommended for each gate.
  - Never use as a window barrier.
  - Intended for use with children from 6 – 24 months.
  - When fitted correctly this gate complies with EN1930 2000.

### WARNING

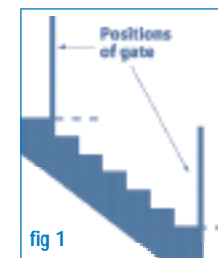
For maximum security, the gate should be mounted with the bottom bar on the floor.

**WARNING:** The position of the safety gate in relation to the stairs may have an adverse effect on your child's safety (figure 1).

**WARNING:** If the safety gate is used at the top of the stairs to prevent the child from falling down the stairs, it must not be placed on any stair below the level of the top stair.

**WARNING:** If the safety gate is used at the bottom of the stairs to prevent the child from climbing up the stairs, it must be placed on the lowest stair.

**WARNING:** Never use without fixing cups.



- Make sure that the wall, door frame or stairpost to which you are fixing the gate is strong, rigid and has an even, grease free surface.
- Complies with EN1930 2000. This does not address products designed to use across window openings.
- Designed for children from 6 months up to 24 months only, due to the danger of older children climbing over the barrier. Do not allow your child to pull on, or attempt to climb over the barrier.
- Once fitted in place the gate should be checked regularly to ensure that it is properly fixed and secure.
- The gate should be checked periodically for general condition with particular references to the security of attachments and operation of locking devices.
- Do not use this gate if any of the parts are damaged or missing.
- If the gate is in an accident do not use it again.
- Correct additional and replacement parts and extensions should only be obtained from Dorel UK or Dorel Europe.

### Assembly

The gate can be adjusted with the spindles at each end. Ensure that the wall or fixing surface is strong and rigid.

- Measure the opening where the gate is to be fitted to ensure that the opening is between 73cm – 109cm. Refer to the table below to identify if an extension is required.

Min. Width	Max. Width	Extensions required
730mm	810mm	None
810mm	880mm	One extension
880mm	950mm	Two extensions
950mm	1020mm	Three extensions
1020mm	1090mm	Four extensions

2. Insert the correct number of extensions into the gate as shown in Figure 1a. If 3 extensions are required, ensure that they are fitted in the following format: place 2 of the extensions near the handle end of the gate and the remaining extension fitted on the other end of the gate. If 4 extensions are required, there should be 2 extensions fitted on each end of the gate.
3. Insert the spindles and bungs into the outer corners of the gate (Figure 1b).

#### 4 Installation

This gate is designed to be used with the wall cups provided. Wall cups can be affixed using either the self adhesive pads or the screws and wall plugs.

##### To fit wall cups:

- Place the gate in the opening with spindle A against the most solid surface. Test fit the gate and mark the position of the pressure pads on the wall. Remove the gate and affix the wall cups into the marked positions using the adhesive pads. (It is recommended that you do not use adhesive pads on wallpaper.)
- Alternatively drill holes into the wall and screw the wall cups into position. If using screws always use the wall plugs provided.

##### To install the gate:

1. Place the gate centrally in the opening. (Fig. 2)
2. Ensure the handle is in the closed position when installing.
3. Pull out all of the spindles until they are touching the fixing surfaces and adjust the tightening nuts so they rest against the bars of the gate. The gap between the outer bars of the gate and the wall or fixing surface should not exceed 60mm. If it is wider than 60mm you should use an extension(s). The bottom of the gate must not be fitted any higher than 5mm from the floor.
4. With the spanner provided, turn the tightening nuts on the bottom spindles until they are firm. Whilst doing this ensure that the base of the U frame is in contact with the floor. A downward pressure maybe need to be applied to ensure this.
5. You will notice that the gap between the front section of the gate where the handle closes and the U frame section of the gate is not parallel. It should be wider at the top than at the bottom – this is correct. (Fig. 3)
6. Now begin to tighten the spindle at the top left of the gate (nearest the handle) with the adjustment nut and the spanner. Repeat this action and tighten the spindle at the top right of the gate. Continue to tighten until the gap between the swing gate and the U frame of the gate becomes parallel. (Fig. 4) You will notice that the angle between the swing gate and the U frame has reduced to 0 degrees. Ensure that the marks on the handle of the swing gate match up with the tip of the opposite plastic part of the U frame, when these 2 marks line up with the opposite plastic then the correct amount of pressure has been applied to the gate (fig 4a)
7. Your gate is now installed correctly (Fig. 5).

##### To open and close the gate:

- Push the buttons and lift the handle. Lift the gate until the catch at the bottom clears the bottom bar. The gate can be opened in either direction. To close the gate, gently push the gate door and it will lock behind you. You do not need to push the handle down once the gate has been opened, the handle will self-close automatically once the gate locks back inside the frame

**IMPORTANT!** Before using check that the gate is secure and properly fitted by gently pulling on the top of the gate. If it moves, then you should re-install.

**IMPORTANT!** You should continue to regularly check the stability and fit of the gate or barrier during use and the operation of the locking handle.

**IMPORTANT!** Always keep your gate closed and in the locked position.

**IMPORTANT!** Do not use your gate if parts become damaged or are missing. Only use replacement parts supplied by Dorel UK.

**IMPORTANT!** If the gate is in an accident do not use it again.

**WARNING:** This product is not a toy. Do not allow children to play with it. When not in use, keep out of reach of children. It is dangerous for older children to attempt to climb over the barrier.

#### 5 Cleaning Instructions

**IMPORTANT!** To clean wipe with a damp cloth and dry thoroughly. Do not use abrasive cleaners. Do not immerse in water.